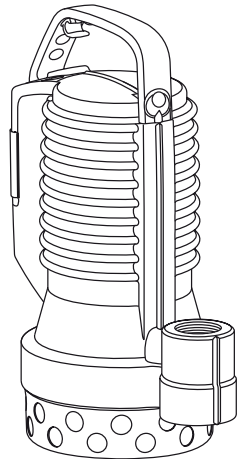




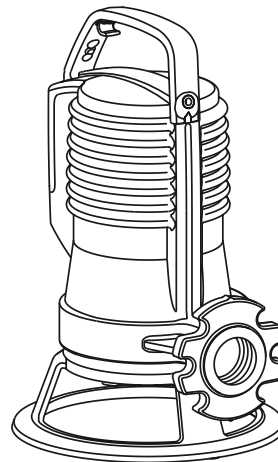
water technology

COMPANY WITH QUALITY MANAGEMENT
SYSTEM CERTIFIED BY DNV
= ISO 9001:2008 =

blue



blue
PROFESSIONAL



IT Manuale d'uso e manutenzione
EN User and maintenance manual
FR Manuel d'utilisation et de maintenance
DE Benutzer und Wartungshandbuch
NL Handleiding voor gebruik en onderhoud
ES Manual de uso y mantenimiento
PT Manual de uso e manutenção
EL Εγχειρίδιο χρήσης και συντήρησης
DA Brugs og vedligeholdelsesmanual
FI Käyttö ja huolto-opas
SV Bruks-och underhållsanvisning
BG Наръчник за употреба и поддръжка

HU Használati és karbantatási útmutató
PL Podręcznik instrukcji obsługi oraz konserwacji
RO Manual de utilizare și întreținere
ET Kasutus ja hooldusjuhend
LV Lietošanas un tehniskās apkopes rokasgrāmata
LT Instrukties voor het gebruik en onderhoud
CS Návod k použití a údržbě
SK Užívateľský manuál
SL Pavodila za uporabo in vzdrževanje
HR Upute za rukovanje i održavanje
RU Руководство по эксплуатации.
CN 用户使用手册



CAUTION



- Installation operations must be carried out by skilled technical staff capable of understanding the contents of the manual.
- Keep out of reach of children.
- Not suitable for unskilled and/or incompetent persons.
- Do not use the electric pump for purposes other than those for which it was designed and manufactured.

ELECTRIC CONNECTIONS



- Before starting the pump, check that the plug is firmly connected to the socket or the electric connection has been made correctly. The electric system must have a ground connection in good working order.
- If using models with integral float switches, such as the **DRBlue**, take care to turn off the power supply before any cleaning or maintenance procedures to prevent accidental start-ups.
- Do not use the electric pump for lifting flammable or explosive liquids
- Do not allow the free end of the electric cable to come into contact with liquids of any kind
- Never handle or lift the electric pump by the power supply or float switch cables



SECURITY

- Do not place your hands or objects near and/or insert them in the electric pump's intake or outlet. In particular, be especially careful with **GRBlue** models which have a revolving cutter on the intake side
- Do not swallow or inhale any component of the pump;
- Before performing any cleaning and maintenance procedure, ensure that the electricity supply has been disconnected and wait for the surface of the pump to cool to ambient temperature (at least 30 min.);
- Do not approach the pump when in operation and do not touch the liquid in which it is submerged;
- When handling the electric pump, especially if it has previously been installed, use suitable personal protection equipment such as safety footwear, gloves, goggles and a leather apron or similar protection.

INTRODUCTION

Before installing and using the pump, read the instructions given below carefully.

There is a self-adhesive label supplied with this manual bearing all the pump data, which must be applied to the manual in the relative space. This manual must be kept for the entire life of the product, as the manufacturer cannot be held responsible for damage, to people or things, caused by the submersible electric pump if used in any other ways than those provided for herein, or in the event that the maintenance and safety regulations are not complied with. In any case, the pump's installation and use must be effected by qualified adults.

SAFETY

Do not allow the electric pump to be used by children or non-qualified persons.

Do not use the electric pump to decant inflammable fluids.

Do not install the electric pump in confined areas where there may be gas or a risk of explosions.

Do not modify the pump for any reason (such as fitting couplings or carrying out drilling or finishing work, etc...).

Do not put your fingers or other objects in the intake and delivery holes. Be particularly careful when using the **GRBlue** model, which is fitted with a shredder blade in the intake area.

Ensure the end of the electric power cable does not come into contact with the fluid.

When carrying out installation, checking or maintenance operations on the electric pump, always use Personal Protective Equipment (PPE), i.e. regulation garments and equipment.

Accident-prevention shoes and gloves, safety goggles and leather aprons must be always be worn.

Before handling the fitted product, wash it thoroughly with running water.

Only connect the electricity supply once the electric pump has been correctly installed.

Unplug the unit at the mains before carrying out any maintenance and/or cleaning operations or when simply removing the pump from the fluid.

Use jets of water and/ or detergent to clean the machine before carrying out any maintenance and/ or cleaning operation.

Do not obstruct the fluid intake and delivery pipes.

In the event of damage, stop the pump immediately.

Contact an authorised Zenit technical service centre for repairs and always request the use of original spare parts.

Failure to comply with the above could result in impaired pump safety, in addition to forfeiture of the warranty.

CONDITIONS OF USE

Electric pumps not suitable for fluids for alimentary use.

The **DRBlue**, **DGBBlue**, **GRBlue**, **APBlue** model electric pumps are designed to treat fluids such as clear water, dirty water or sewage.

The electric pump normally works completely immersed in the fluid in order to prime itself and to pump out.

The pump must be immersed completely in the fluid so that the latter can cool the motor sufficiently. This way the inlet will not take in air and the pump will operate correctly.

The motor can be allowed to run uncovered very briefly.

In the **DR** versions the intake strainer can be removed by skilled technical staff to enable fluid intake from up to the last few millimetres from the bottom.

In any situation in which the pump cannot be completely immersed the utmost care must be taken to ensure the motor does not overheat.

The **DRBlue** and **APBlue** models are designed for the evacuation of clear water or dirty water containing small solid bodies.

The **DGBBlue** model guarantees a clear passage for solids of up to 50 mm and is suitable for the treatment of dirty water.

The **GRBlue** model can be used for sewage containing fibres which can be shredded using an intake shredding system.

Number of start-ups per hour: A maximum of 20 evenly spaced start-ups (for the **GRBlue** there is a risk of breakage of the condenser if the unit is started up too many times within a short period).

Immersion depth: maximum of 20m beneath the fluid level

Temperature of fluid treated: maximum of 40°C, or 60° with discontinuous operation.

Density of fluid treated: maximum of 1.1 Kg/ dm³

PH of fluid to be pumped: between 6 and 14.

If the electric pump is used in swimming pools and suchlike, people must not bath in or come into contact with the treated fluid until the pump has been removed from the pool.

Users must follow the safety rules in force in the country of use, as well as applying their common sense, and make sure the routine cleaning and maintenance operations are carried out correctly.

It is the installer's duty to check the correct environmental conditions for use of the pump, ensuring they guarantee safety and hygiene.

The responsibilities of the staff authorised to use the electric pump are delegated to the customer.

NOISE LEVEL

The submersible electric pumps feature an acoustic pressure level of below 70dB(A) when immersed and below 80dB(A) in the air.

HANDLING

The electric pumps of 30 kg or less can be handled and lifted manu-

ally using the special handle located in the upper section of the pump. Do not use the electric power cable or the floating switch cable to lift or move the pump.

Check that the box and its contents are in perfect condition and stop the installation in the event that any defects or anomalies are found, then inform the supplier.

INSTALLATION

If the pump is installed inside a shaft, this must be large enough to allow the floating switch, if installed, to move freely. The manufacturer recommends the use of shafts which are no smaller than 500mm x 500mm x 500mm. (Fig. 1)

WARNING: Check that the submersible pump has been primed. In some cases, an air bubble may form in the upper part of the pump body, which prevents liquid pumping.

WARNING: Before the installation and/or the start-up of the pump after a long period of inactivity, turn the shaft with the box wrench to ensure that it rotates freely.

Mobile post (Fig. 2): using a hose union, connect the delivery pipe to a hose with an internal reinforcement coil and a diameter which is the same size as or larger than the electric pump outlet.

Fixed post (Fig. 3): connect the electric pump to a metal piping, fitting a non-return valve and an interception gate valve on the said metal piping.

This ensures the pump stability is guaranteed by the piping.

The pump can also be connected to polyethylene piping, using the relative union.

Secure the hose to the union by means of a metal band clamp.

With the joining foot (Figs. 4-5): Fix the joining foot to the bottom of the tank first, using expansion plugs. Install the delivery pipe with the relative non-return valve and gate valve.

Engage two guidepipes on the joining foot, fixing them in the upper part using the spacer bracket provided by Zenit with the joining foot.

This way, the pump can be lowered supported with a chain or cable hooked around the handle and, thanks to the two guide pipes it will fit perfectly in place on the foot.

ELECTRICAL CONNECTIONS (Figs. 8-9)

All the operations involved in the connection to the electrical network must be carried out by skilled labour and in compliance with the legislation in force.

ATTENTION: In the wiring-up stage, connect the yellow-green earth conductor first, then the others.

For the protection of the electric motor and the safety of the people in the vicinity, connect the pump to a suitably-scaled differential overload switch.

CAUTION: pumps may be fitted with automatically-resetting thermal protection which prevents them from breaking in the event of overheating; So the pump cooling starts again automatically.

Before installation make sure that:

- the power line has an earth and complies with the regulations in force
- the pump's and float switch cables are not damaged

Before making the three-phase electrical connection, make sure the rotation direction is correct.

To check the rotation direction, proceed as follows:

- Take the precautions specified in the manual
- lay the pump horizontal on one side and leave it free
- temporarily connect the yellow-green wire to ground and then connect the power supply wires to the contactor;
- make sure there are no people or objects within a radius of at least 1 metre of the pump;
- turn on the start switch for a few moments;
- watch the impeller as it stops through the intake port and check that it turns anticlockwise.

If the pump is rotating in the wrong direction, invert two of the power supply wires in the contactor and try again.

Once the correct rotation direction has been obtained, MARK the pow-

er supply wire connection positions, REMOVE the temporary electrical connections and install the pump in the planned position.

FLOATING SWITCH

The electric pump can be supplied with a floating switch and its functioning is completely automatic. Make sure that there is nothing around that could obstruct the movement.

It is important that the cables do not get in each other's way, twisted up or stuck in any jutting parts or grips inside the tank (Fig. 6).

The floating switch has an adjustable stroke to allow regulation of the on and off levels. Make sure that the minimum level does not fall below the pump's upper shield (Fig. 7).

RESIDUAL RISKS

The risks that cannot be eliminated by the safety measure adopted by the manufacturer are caused by incorrect use of the pump or by the user's failure to comply with the safety regulations described in this manual. In particular, the user must ensure no people and/or animals come into contact with the fluid when the pump is working.

MAINTENANCE

The pump maintenance and repair operations must be carried out by workers authorised by the manufacturer; Failure to comply with these instructions will result in forfeiture of the warranty and jeopardise the unit's safety.

Before any cleaning and/ or maintenance operations are carried out on the electric pump, the power supply must be switched.

To disconnect the submersible electric pump from the electricity mains, first disconnect the phase conductors, then the yellow –green earth one.

Use the special handle to remove the submersible electric pump from the tank.

ATTENTION: Before carrying out any operations, check the pump temperature.

Only work on the pump when it is at room temperature.

Clean the electric pump thoroughly, using a jet of water or specific products to clean all its parts. When disposing of the waste material, follow the antipollution rules in force.

Replace any broken or worn parts with original spare parts only.

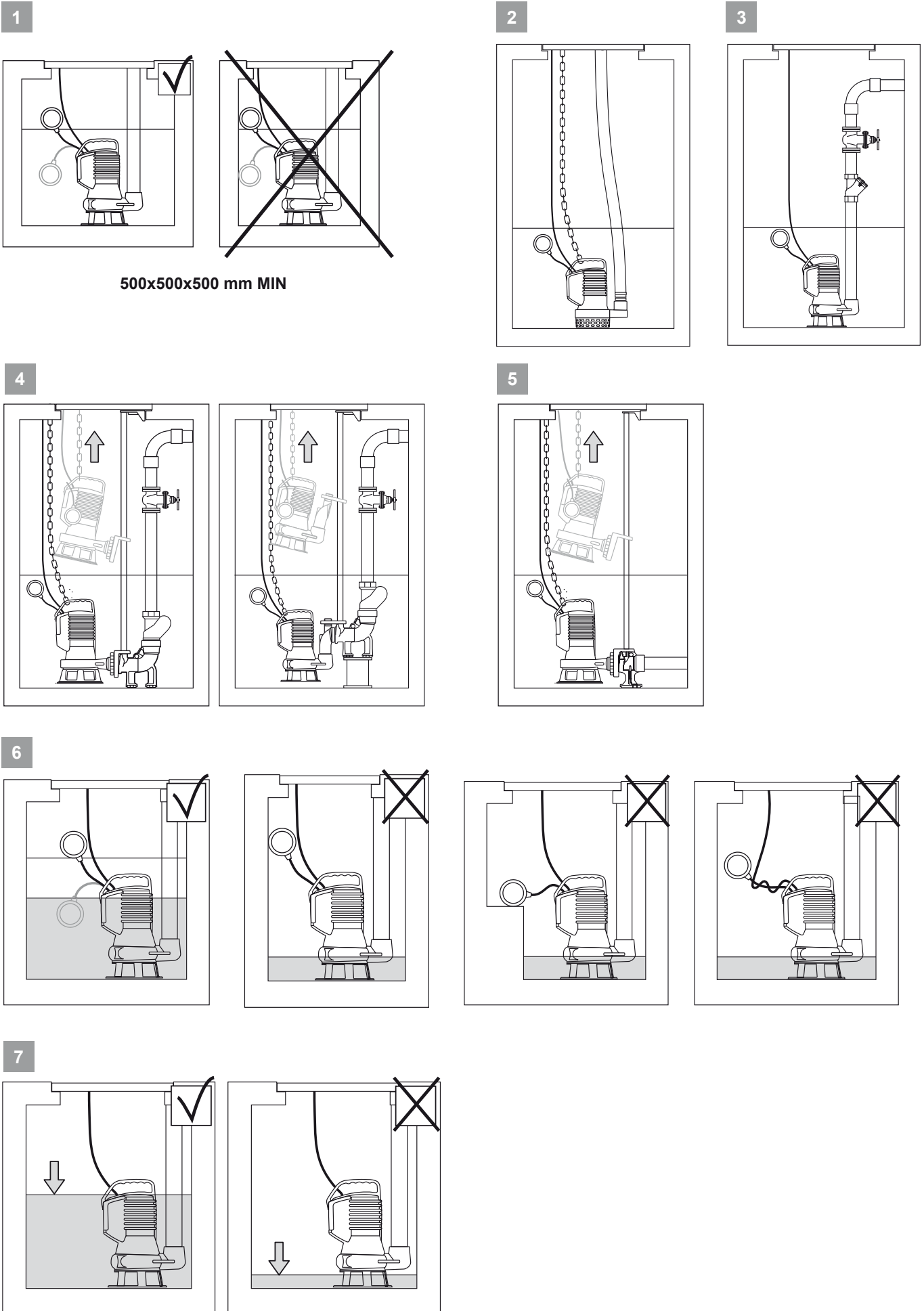
Given the likelihood that work on the electric pump will be carried out in confined spaces such as vats, wells, cesspools, tanks or cisterns, do not underestimate the risks caused by potentially poisonous exhalations.

SCRAPPING

Store the electric pump in a suitable place, out of reach of children and unauthorised persons.

Dispatch the electric pump to an authorised scrapping centre for its disposal.

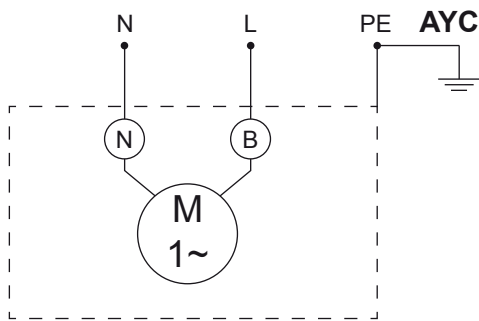
Do not dump any parts of the electric pump.



IT	COLLEGAMENTI ELETTRICI	DA	ELEKTRISKE FORBINDELSER	LV	ELEKTRISKIE SAVIENOJUMI
EN	ELECTRICAL CONNECTIONS	FI	SÄHKÖLIITÄNNÄT	LT	ELEKTROS PAJUNGIMAS
FR	BRANCHEMENTS ELECTRIQUES	SV	ELANSLUTNINGAR	CS	ELEKTRICKÁ ZAPOJENÍ
DE	ELEKTRISCHE VERBINDUNGEN	BG	ЕЛЕКТРИЧЕСКО СВЪРЗВАНЕ	SK	ELEKTRICKÉ KÁBLE
NL	ELEKTRISCHE AANSLUITINGEN	HU	VILLAMOS CSATLAKOZÁS	SL	ELEKTRIČNE POVEZAVE
ES	CONEXIONES ELÉCTRICAS	PL	POŁĄCZENIA ELEKTRYCZNE	HR	ELEKTRIČNI SPOJEVI
PT	LIGAÇÕES ELÉTRICAS	RO	CONEXIUNILE ELECTRICE	RU	ЭЛЕКТРИЧЕСКИЕ СОЕДИНЕНИЯ
EL	ΗΛΕΚΤΡΙΚΕΣ ΣΥΝΔΕΣΕΙΣ	ET	ELEKTRIÜHENDUSED	CN	电线连接

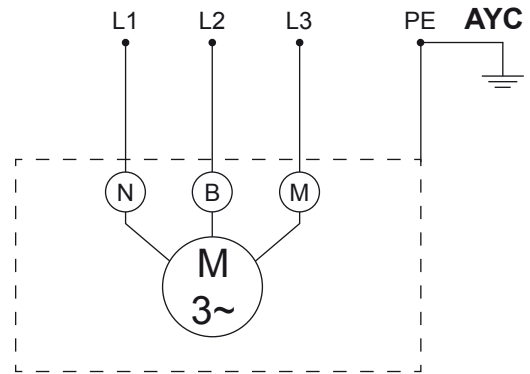
8

~1 50/60Hz



9

~3 50/60Hz



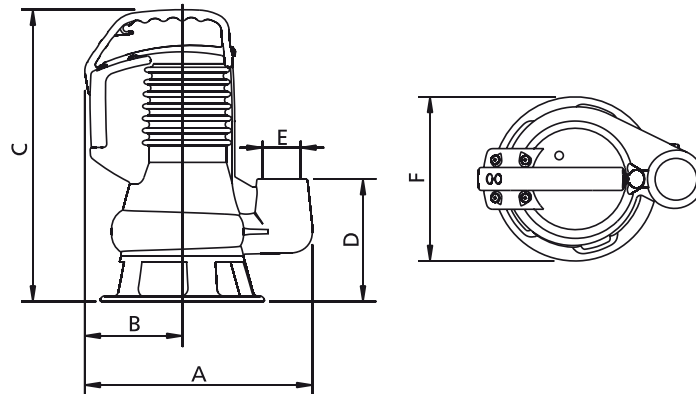
	L - N	L1 - L2 - L3	PE	AYC	(M)	(B)	(N)
IT	Alimentazione monofase	Alimentazione trifase	Terra	A vostra cura	Marrone	Blu	Nero
EN	Single-phase power supply	Three-phase power supply	Ground	At your cost	Brown	Blue	Black
FR	Alimentation monophasée	Alimentation triphasée	Terre	À votre charge	Marron	Bleu	Noir
DE	Einphasige Stromversorgung	Dreiphasige Stromversorgung	Erdung	Zu Ihren Lasten	Braun	Blau	Schwarz
NL	Eenfasige voeding	Driefasige voeding	Aarde	Dient u zelf zorg voor te dragen	Bruin	Blauw	Zwart
ES	Alimentación monofásica	Alimentación trifásica	Tierra	A su cargo	Marrón	Azul	Negro
PT	Alimentação monofásica	Alimentação trifásica	Terra	Aos seus cuidados	Marrom	Azul	Preto
EL	Μονοφασική τροφοδοσία	Τριφασική τροφοδοσία	Γείωση	Με δική σα ευθύνης	Καφέ	Μπλε	Μαύρο
DA	Forsyning monofase	Forsyning tre faser	Jord	For eget ansvar	Brun	Blå	Sort
FI	Yksivaihesyöttö	Kolmivaihesyöttö	Maa	Asiakkaan vastuulla	Ruskea	Sininen	Musta
SV	Enfas försörjning	Trefas försörjning	Jord	Tillhandahålls av er	Brun	Blå	Svart
BG	Еднофазно захранване	Трифазно захранване	Заземяване	Ваше задължение	Кафяв	Син	Черен
HU	Egyfázisú vezeték	Háromfázisú vezeték	Földelés	Az önök feladata	Barna	Kék	Fekete
PL	Zasilanie jednofazowe	Zasilanie trójfazowe	Uziemienie	W naszym zakresie	Brązowy	Niebieski	Czarny
RO	Alimentarea monofază	Alimentarea trifazăică	Împământarea	Trebuie asigurată de către dumneavoastră	Maro	Albastru	Negru
ET	Ühefaasiline toide	Kolmefaasiline toide	Maandus	Teie hooldada	Pruun	Sinine	Must
LV	Vienfāzes strāvas padeve	Trīs fāžu strāvas padeve	Iezemējums	Jūsu ziņā	Brūns	Zils	Melns
LT	Vienfazis maitinimas	Trifazis maitinimas	Įžeminimas	Jūsų atsakomybė	Rudas	Mėlynas	Juodas
CS	Přívod monofáze	Přívod třífáze	Země	Ve vaší péči	Hnědý	Modrý	Černý
SK	Monofázové napájanie	Trojfázové napájanie	Zem	Vo Vašej starostlivosti	Gaštan	Modrý	hnedý
SL	Enofazno napajanje	Trifazno napajanje	Ozemljitev	V vaši skrbi	Rjava	Modra	Črna
HR	Jednofazno napajanje	Trofazno napajanje	Uzemljenje	Na vaš trošak	Smeđa	Plava	Crna
RU	Однофазное питание	Трёхфазное питание	Земля	Силами клиента	Коричневый	Синий	Черный
CN	火线	零线	地线		棕色线	蓝色线	黑线

IT	DIMENSIONI DI INGOMBRO
EN	OVERALL DIMENSIONS
FR	DIMENSIONS D'ENCOMBREMENT
DE	ÜBERSICHT DER DIMENSIONEN
NL	AFMETINGEN
ES	DIMENSIONES TOTALES
PT	DIMENSÕES EXTERNAS
EL	ΔΙΑΣΤΑΣΕΙΣ

DA	DIMENSIONER
FI	TARVITTAVA TILA
SV	DIMENSIONER
BG	ВЪНШНИ РАЗМЕРИ
HU	MÉRETEK
PL	WYMIARY ZAJMOWANEGO MIEJSCA
RO	DIMENSIUNI DE GABARIT
ET	ÜLDMÕÖDUD

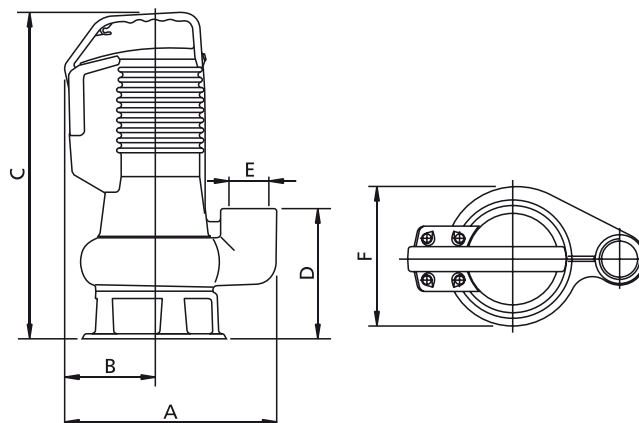
LV	TELPISKIE IZMĒRI
LT	UŽIMAMO PLOTO MATMENYS
CS	ROZMĚRY
SK	ROZMERY ZÁTARASY
SL	SKUPNE DIMENZIJE
HR	DIMENZIJE
RU	ГАБАРИТНЫЕ РАЗМЕРЫ
CN	外形尺寸图

DGblue



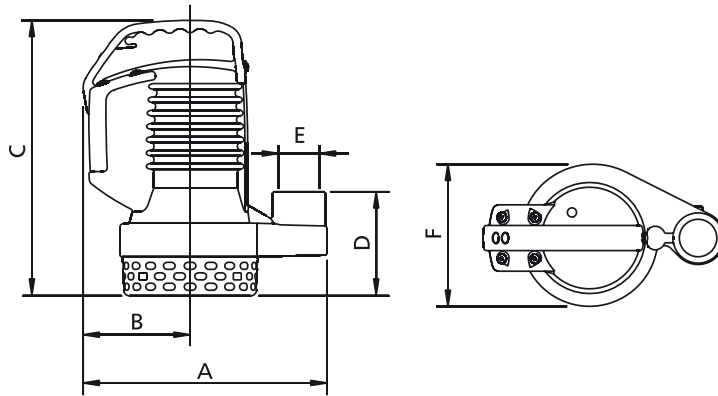
	A mm	B mm	C mm	D mm	E	F mm	kg
DG Blue 40/2/G40V A1BM/50(60)	265	115	335	140	G 1½"	190	12.5
DG Blue 50/2/G40V A1BM/50(60)	265	115	335	140	G 1½"	190	13
DG Blue 75/2/G40V A1BM/50(60)	265	115	335	140	G 1½"	190	15
DG Blue 100/2/G40V A1BM/50(60)	265	115	335	140	G 1½"	190	15.5

DGblue PROFESSIONAL



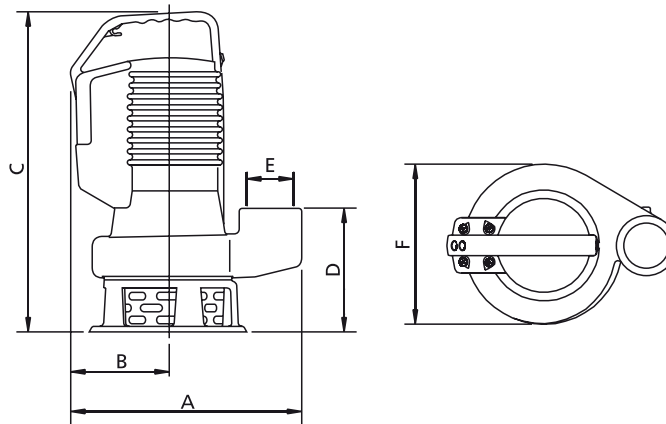
	A mm	B mm	C mm	D mm	E	F mm	kg
DG BluePRO 50/2/G40V A1BM(T)/50(60)	265	115	335	140	G 1½"	190	13
DG BluePRO 75/2/G40V A1BM(T)/50(60)	265	115	335	140	G 1½"	190	15
DG BluePRO 100/2/G40V A1BM(T)/50(60)	265	115	335	140	G 1½"	190	15.5
DG BluePRO 150/2/G50V A1CM(T)/50(60)	295	125	465	195	G 2"	200	23
DG BluePRO 200/2/G50V A1CM(T)/50(60)	295	125	465	195	G 2"	200	24

DRblue



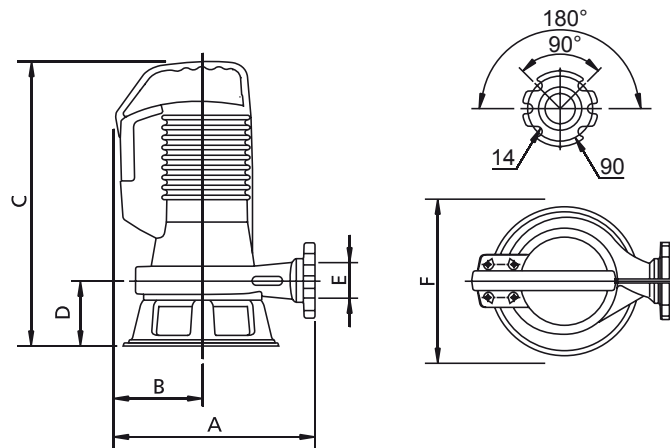
	A mm	B mm	C mm	D mm	E	F mm	kg
DR Blue 40/2/G32V A1BM/50(60)	255	115	295	110	G 1¼"	150	11.5
DR Blue 50/2/G32V A1BM/50(60)	255	115	295	110	G 1¼"	150	12
DR Blue 75/2/G32V A1BM/50(60)	255	115	295	110	G 1¼"	150	13.5
DR Blue 100/2/G32V A1BM/50(60)	255	115	295	110	G 1¼"	150	15.5

DRblue PROFESSIONAL



	A mm	B mm	C mm	D mm	E	F mm	kg
DR BluePRO 50/2/G32V A1BM(T)/50(60)	255	115	295	110	G 1¼"	150	12
DR BluePRO 75/2/G32V A1BM(T)/50(60)	255	115	295	110	G 1¼"	150	13.5
DR BluePRO 100/2/G32V A1BM(T)/50(60)	255	115	295	110	G 1¼"	150	14
DR BluePRO 150/2/G50V A1CM(T)/50(60)	295	125	420	170	G 2"	200	23
DR BluePRO 200/2/G50V A1CM(T)/50(60)	295	125	420	170	G 2"	200	24

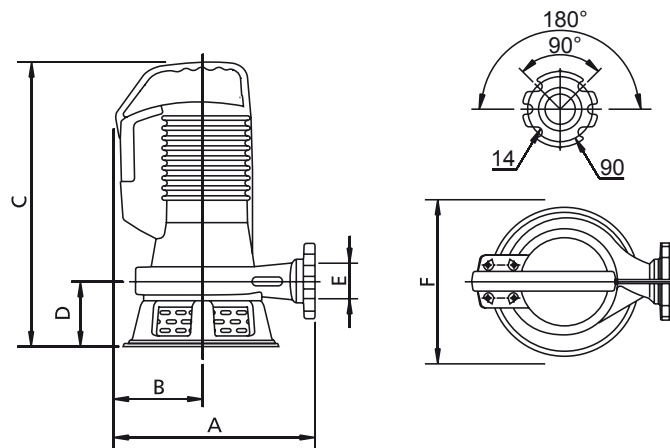
GRblue
PROFESSIONAL



	A	B	C	D	E	F	kg
	mm	mm	mm	mm		mm	
GR BluePRO 100/2/G40H A1CM(T)/50(60)	270	130	365	95	G 1½"	220	19
GR BluePRO 150/2/G40H A1CM(T)/50(60)	285	125	410	100	G 1½"	230	24
GR BluePRO 200/2/G40H A1CM(T)/50(60)	285	125	410	100	G 1½"	230	25

APblue
PROFESSIONAL

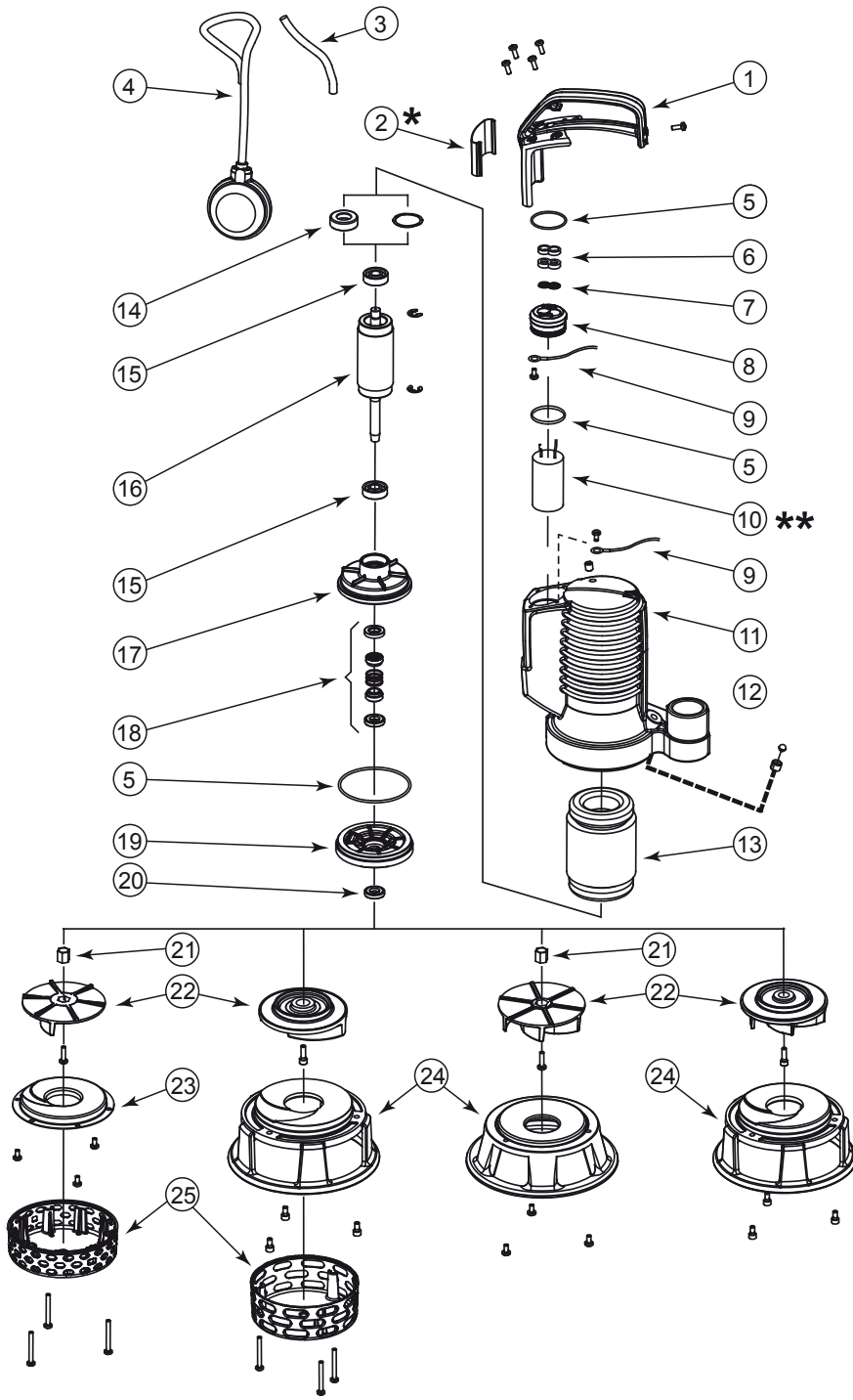
APblue HP
PROFESSIONAL



	A	B	C	D	E	F	kg
	mm	mm	mm	mm		mm	
AP BluePRO 100/2/G40H A1CM(T)/50(60)	270	130	365	95	G 1½"	220	19
AP BluePRO 150/2/G40H A1CM(T)/50(60)	285	125	410	100	G 1½"	230	24
AP BluePRO 200/2/G40H A1CM(T)/50(60)	285	125	410	100	G 1½"	230	26

	A	B	C	D	E	F	kg
	mm	mm	mm	mm		mm	
AP BluePRO HP 150/2/G40H A1CM(T)/50(60)	285	125	410	100	G 1½"	230	24

IT	COMPONENTI PRINCIPALI	DA	HOVEDKOMPONENTER	LV	GALVENĀS SASTĀVDAĻAS
EN	MAIN COMPONENTS	FI	PÄÄASIALLISET OSAT	LT	PAGRINDINĖS SUDEDAMOSIOS DALYS
FR	COMPOSANTS PRINCIPAUX	SV	HUVUDSAKLIGA KOMPONENTER	CS	HLAVNÍ SOUČÁSTI
DE	HAUPTKOMPONENTEN	BG	OCHOBNI ČASTI	SK	ZÁKLADNÉ ČÁSTI
NL	HOOFDCOMPONENTEN	HU	FŐ ÖSSZETEVŐK	SL	GLAVNE KOMPONENTE
ES	COMPONENTES PRINCIPALES	PL	GŁÓWNE ELEMENTY	HR	GLAVNI ELEMENTI
PT	COMPONENTES PRINCIPAIS	RO	COMPONENTE PRINCIPALE	RU	ОСНОВНЫЕ СОСТАВНЫЕ ЧАСТИ
EL	ΒΑΣΙΚΑ ΕΞΑΡΤΗΜΑΤΑ	ET	PÕHIOSAD	CN	主要零部件

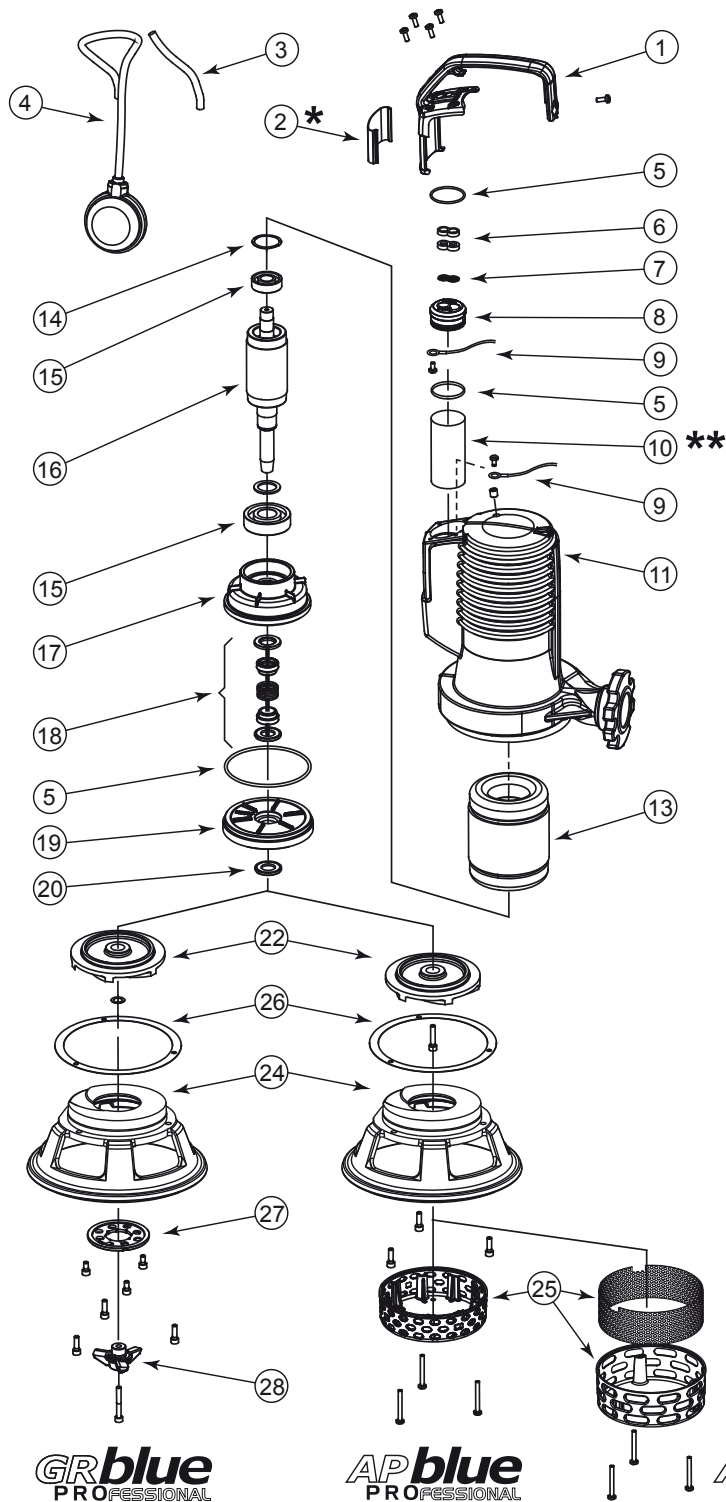


DR blue

DR blue
PROFESSIONAL

DG blue

DG blue
PROFESSIONAL



GRblue
PROFESSIONAL

AP blue
PROFESSIONAL

AP blue HP
PROFESSIONAL

IT (*) solo PROFESSIONAL LINE
(**) solo modelli monofase

EN (*) PROFESSIONAL LINE only
(**) single-phase models only

FR (*) PROFESSIONAL LINE uniquement
(**) modèles monophasés uniquement

DE (*) nur PROFESSIONAL LINE
(**) nur Einphasenmodellen

NL (*) alleen PROFESSIONAL LINE
(**) alleen eenfase modellen

ES (*) sólo PROFESSIONAL LINE
(**) sólo modelos monofásicos

PT (*) somente PROFESSIONAL LINE
(**) somente modelos mono fásico

EL (*) μόνο PROFESSIONAL LINE
(**) μόνο μονοφασικά μοντέλα

DA (*) kun PROFESSIONAL LINE
(**) kun enkeltfasede modeller

FI (*) vain PROFESSIONAL LINE
(**) vain yksivaihemallit

SV (*) endast PROFESSIONAL LINE
(**) endast enfasiga modeller

BG (*) само PROFESSIONAL LINE
(**) само еднофазни модели

HU (*) csak PROFESSZIONÁLIS MODELLEK
(**) csak egyfázisú modellek

PL (*) tylko PROFESSIONAL LINE
(**) tylko modele jednofazowe

RO (*) exclusiv PROFESSIONAL LINE
(**) exclusiv modelele monofazice

ET (*) ainult PROFESSIONAL LINE
(**) ainult ühefaasilised mudelid

LV (*) tikai PROFESIONĀLĀ LĪNIJA /Professional line/
(**) tikai vienfāzes modeļiem

LT (*) Tik PROFESSIONAL LINE gaminiuose
(**) Tik vienfaziuose modeliuose

CS (*) pouze PROFESIONÁLNÍ LINIE
(**) pouze jednofázové modely

SK (*) iba PROFESSIONAL LINE
(**) iba jednofázové modely

SL (*) samo za PROFESIONALNO LINIJO
(**) samo enofazni modeli

HR (*) samo PROFESSIONAL LINE
(**) samo jednofazni modeli

RU (*) только ПРОФЕС-СИОНАЛЬНАЯ ЛИНИЯ
(**) только однофазные модели

CN (*) 用于专业版
(**) 用于单相泵

	IT	EN	FR	DE	NL	ES	PT	EL
1	Maniglia	Handle	Poignée	Griff	Handvat	Manilla	Manilha	Λαβή
2	Targhetta (*)	Plate (*)	Plaquette (*)	Kennschild (*)	Kentekenplaat (*)	Tarjeta (*)	Plaqueta (*)	Πινακίδα (*)
3	Cavo	Cable	Câble	Kabel	Kabel	Cable	Cabo	Καλώδιο
4	Galleggiante (**)	Float switch (**)	Flotteur (**)	Schwimmer (**)	Vlotter (**)	Flotador (**)	Flutuador (**)	Πλωτήρας (**)
5	O-Ring	O-Ring	O-Ring	O-Ring	O-Ring	O-Ring	O-Ring	O-Ring
6	Sistema pressa-cavo	Cable gland system	Système presse-câble	Kabeleinführung	Kabelbussysteem	Sistema con sujetacable	Sistema fixa cabo	Σύστημα συγκράτησης καλωδίων
7	Fermacavo	Cable fastener	Élément d'arrêt câble	Kabelhalter	Kabelblokkering	Sujetacable	Abraçadeira	Στοπ καλωδίων
8	Supporto pressa-cavo	Cable gland support	Support presse-câble	Halterung Kabeleinführung	Support kabelbus	Soporte del sujetacable	Suporte fixa cabo	Φορέας συγκράτησης καλωδίου
9	Messa a terra	Ground	Mise à la terre	Erdung	Aarddraad	Contacto de tierra	Ligação à terra	Γείωση
10	Condensatore(**)	Capacitor(**)	Condensateur(**)	Kondensator(**)	Condensator (**)	Condensador(**)	Condensador (**)	Συμπυκνωτής (**)
11	Carcassa motore	Motor case	Carcasse moteur	Motorgehäuse	Motorkast	Carcasa motor	Carcaça motor	Κιβώτιο κινητήρα
12	Valvola di sfiato(*)	Bleeder valve(*)	Reniflard(*)	Ablassventil (*)	Uitlaatklep (*)	Válvula de purgado (*)	Válvula de escape (*)	Βαλβίδα αερισμού (*)
13	Statore	Stator	Stator	Statorpaket	Stator	Estator	Estator	Στατήρας
14	Cuffia in gomma/ Rondella di appoggio	Rubber boot / Support washer	Bouchon en caoutchouc/ Rondelle d'appui	Gummihäube Auflagescheibe	Rubberen mof/ Supportringetje	Gorro de goma Arandela de apoyo	Cobertura de borracha/ Anilha de apoio	Λασπηχία κάλυψη/ Ροδέλα απόθεσης
15	Cuscinetto	Bearing	Roulement	Lager	Lager	Cojinete	Rolamento	Ρουλεμάν
16	Albero con rotore	Shaft with rotor	Arbre avec rotor	Pumpewelle mit Rotor	Drijfjas met rotor	Eje con rotor	Veio di rotor	Άξονας με στροφέα
17	Supporto cuscinetto inferiore	Lower bearing holder	Support roulement inférieur	Halterung unteres Lager	Support onderste lager	Soporte del cojinete inferior	Suporte do rolamento inferior	Φορέας κάτω ρουλεμάν
18	Tenuta meccanica	Mechanical seal	Guarniture mécanique	Gleitringdichtung	Mechanische dichting	Estanqueidad mecánica	Retenção mecânica	Μηχανική στεγανοποίηση
19	Flangia chiusura camera olio	Oil chamber sealing flange	Bride d'étanchéité de la chambre d'huile	Verschlussflansch Ölkammer	Oliekamerafsluitflens	Brida de cierre cámara de aceite	Flange de fecho cámara de óleo	Φλάντζα κλεισίματος θαλάμου λαδιού
20	V-Ring	V-Ring	V-Ring	V-Ringdichtung	V-Ring	Junta V-Ring	V-Ring	V-Ring
21	Boccola per girante	Impeller bushing	Douille pour roue mobile	Flügelradbuchse	Mof voor draaiwiel	Casquillo para rotor	Casquillo para impulsor	Δακτύλιος για ρότορα
22	Girante	Impeller	Roue mobile	Laufrad	Draaiwiel	Rotor	Impulsor	Ρότορας
23	Flangia aspirazione	Suction flange	Bride d'aspiration	Ansaugflansch	Flens afzuiging	Brida de aspiración	Flange de aspiração	Φλάντζα απορρόφησης
24	Basamento	Base	Embase	Sockel	Basis	Basamento	Base	Πόδι στήριξης
25	Griglia	Grid	Grille	Gitter	Rooster	Rejilla	Grelha	Πλέγμα
26	Guarnizione	Gasket	Joint	Dichtung	Pakking	Junta	Junta vedante	Τσιμούχα
27	Piatto tritratore	Cutting disk	Disque de broyage	Schneidwerkzugplatte	Maalplaat	Placa trituradora	Disco triturador	Δίσκος θρυμματιστή
28	Coltello tritratore	Cutter	Hachoir	Schreddermesser	Maalmes	Cuchilla	Faca trituradora	Μαχαίρι θρυμματιστή

IT (*) solo PROFESSIONAL LINE
(**) solo modelli monofase

NL (*) alleen PROFESSIONAL LINE
(**) alleen eenfase modellen

EN (*) PROFESSIONAL LINE only
(**) single-phase models only

ES (*) sólo PROFESSIONAL LINE
(**) sólo modelos monofásicos

FR (*) PROFESSIONAL LINE uniquement
(**) modèles monophasés uniquement

PT (*) somente PROFESSIONAL LINE
(**) somente modelos mono fásico

DE (*) nur PROFESSIONAL LINE
(**) nur Einphasenmodellen

EL (*) μόνο PROFESSIONAL LINE
(**) μόνο μονοφασικά μοντέλα

	DA	FI	SV	BG	HU	PL	RO	ET
1	Håndtag	Kahva	Handtag	Ръкохватка	Fogantyú	Uchwyt	Mâner	Käepide
2	(*) Etikette	Kilpi(*)	Skylt (*)	Табела (*)	Táblásca (*)	Tabliczka znamionowa (*)	Plăcuța de identificare (*)	Etikett (*)
3	El-ledning	Kaapeli	Kabel	Кабел	Vezeték	Przewód elektryczny	Cablu	Juhe
4	Flydelegeme (**)	Koho (**)	Flottör (**)	Поплавък (**)	Úszó (**)	Pływak (**)	Plutitor (**)	Ujuk (**)
5	O-ring	O-Rengas	O-Ring	O-Образно	O-gyűrű	O-Ring	O-Ring	O-rõngas
6	Kabelforskrningsanordning	Kaapeliliitännänjärjestelmä	Kabelklämma	Система за хващане на кабела	Kábel tömszelence	System dławnicy kablowej	Sistem de compresie cablu	Tihendite süsteem
7	Kabel clips	Kaapelin pidike	Kabelhållare	Стоп кабел	Vezeték rögzítő	Opaska zaciskowa	Stop cablu	Kinniti
8	Kabelforskrningsstøtte	Kaapeliliitännän tuki	Hållare för kabelklämma	Носач за хващане на кабела	Kábel tömszelence alátét	Wspornik dławnicy kablowej	Suport cabluri	Juhtmeheidik
9	Jordforbindelse	Maadoitus	Jordning	Заземяване	Földelés	Uziemienie	Împământarea	Maandus
10	Kondensator(**)	Kondensaattori(**)	Kondensator (**)	Кондензатор(**)	Kondenzátor (**)	Kondensator(**)	Condensator(**)	Kondensaator (**)
11	Motorhus	Moottorirunko	Motorhus	Корпус на двигателя	Motorház	Obudowa silnika	Carcasa motorului	Mootori korpus
12	Udluftningsventil	Tyhjennysventiili (*)	Avluftningsventil (*)	Обезвъздушителен клапан(*)	Légtelenítő szelep (*)	Zawór odpowietrzający (*)	Ventil(*)	Õhuklapp (*)
13	Stator	Staattori	Stator	Стартер	Állórész	Stojan	Stator	Staator
14	Gummidækning/ Støtterondel	Kuminen suojain/ Tukilevy	Gummihuv/ Stödpackning	Гумена слушалка/ Осигурителна шайба	Gumi burkolat / Támasztó alátét	Mieszek gumowy Podkładka	Manșetă din cauciuc/ Piuliță de susținere	Kummiotsak/ Tugiseib
15	Leje	Laakeri	Lager	Лагер	Csapágy	Łożysko	Rulment	Laager
16	Skaft med rotor	Akseli roottorilla	Axel med rotor	Вал на двигателя	Rotor tengely	Wał z rotorem	Ax cu rotor	Rootorvõll
17	Støtteleje, nedre	Alalaakerin tuki	Hållare undre lager	Поддръжка долен лагер	Alsó csapágy alátét	Wspornik łożyska przedni	Suport rulment inferior	Alumine tugilaager
18	Mekanisk segl	Mekaaninen tiiviste	Mekanisk tätning	Механично уплътнение	Tömítés	Uszczelnienie mechaniczne	Garnitura mecanică	Mehhaaniiline tihend
19	Lukkeflange, olieammer	Õljykammion sulkulaippa	Isolerfläns för oljekammare	Фланец затваряне маслена камера	Olajkamra záró karima	Kołnierz do-ciskowy komory olejowej	Flanșă închidere camera de ulei	Õlikambri sulgemisäärik
20	V-ring	V-rengas	V-Ring	V-Образно	V-gyűrű	V-Ring	V-Ring	V-rõngas
21	Bøsning til pumpehjul	Siiven holkki	Bussning för pumphjul	Отвор на колелото	Szorítóbilincs forgókerékhez	Tuleja do wirnika	Bucșă rotor	Tiiviku laager
22	Pumpehjul	Siipi	Pumphjul	Колело	Forgókerék	Wirmik	Rotor	Tiivik
23	Indsugningsflange	Imulaippa	Insugningsfläns	Фланец засмукване	Elszívó karima	Kołnierz po stronie ssawnej	Flanșă aspirație	Sissetõmbe äärik
24	Understel	Alusta	Bas	Основа	Alapzat	Podstawa	Baza	Alus
25	Rist	Ritilä	Filter	Решетка	Rács	Kratka	Grila	Võre
26	Tætning	Tiiviste	Packning	Уплътнение	Tömítés	Uszczelka	Garnitură	Seib
27	Hakkeplade	Pilkkomislevy	Skärskiva	Пъничка банцер	Őrlő tányér	Tarcza rozdrabniająca	Placă de triturare	Jahvatusplaat
28	Hakkekniv	Pilkkomisterä	Skärare	Нош банцер	Őrlőkés	Nóż rozdrabniający	Lamă de triturare	Jahvatusnuga

DA (*) kun PROFESSIONAL LINE
(**)kun enkeltfasede modeller

FI (*) vain PROFESSIONAL LINE
(**)vain yksivaihemallit

SV (*) endast PROFESSIONAL LINE
(**) endast enfasiga modeller

BG (*) само PROFESSIONAL LINE
(**)само еднофазни модели

HU (*) csak PROFESSZIONÁLIS MODELLEK
(**) csak egyfázisú modellek

PL (*) tylko PROFESSIONAL LINE
(**) tylko modele jednofazowe

RO (*) exclusiv PROFESSIONAL LINE
(**)exclusiv modelele monofazice

ET (*) ainult PROFESSIONAL LINE
(**) ainult ühefaasilised mudelid

	LV	LT	CS	SK	SL	HR	RU	CN
1	Rokturis	Rankena	Rukojeť	Rukováť	Ročka	Ručka	Ручка	手柄
2	Identifikācijas plāksne (*)	Ploktstelė (*)	Štítek (*)	Štítok (*)	Tablica (*)	Pločica (*)	Табличка (*)	不锈钢铭牌
3	Vads	Kabelis	Kabel	Kábel	Kabel	Kabel	Кабель	电缆
4	Pludiņš (**)	Plūdinis jungiklis (**)	Plovák (**)	Plavák (**)	Plovec (**)	Plovna sklopka (**)	Поплавок (**)	浮子开关
5	O-gredzens	O žiedas	O-Ring	O-krúžok	O-ring	O-ring	Кольцевое уплотнение	O型圈
6	Sistēmas kabelis	Kabelio įvorės sistema	Systém stlačení kabelů	Systém káblových prechodiek	Kabelska uvodnica	Kabelska uvodnica	Система кабельного уплотнения	电缆卡爪
7	Kabeļu saspraude	Kabelio laikiklis	Zarážka kabelu	Kábový držiak	Kabelske prijemke	Držač kabela	Стопор кабеля	电缆卡爪
8	Kabeļu saspraudes balsts	Kabelio įvorės atrama	Opora stlačení kabelu	Držiak na kábovú prechodku	Nosilec uvodnice	Držač kabelske uvodnice	Опора кабельного уплотнения	电缆密封座
9	Iezemējums	Ižeminimo įranga	Uzemnění	Uzemňovač	Ozemljitev	Uzemljenje	Заземление	底材
10	Kondensators(**)	Kondensatorius(**)	Kondensátor (**)	Kondenzátor(**)	Kondenzator (**)	Kondezator (**)	Конденсатор (**)	电容
11	Dzinēja korpus	Variklio korpusas	Kostra motoru	Kryt motora	Ohišje motorja	Kućište motora	Корпус двигателя	电机壳体
12	Ventilācijas vārsts(*)	Išleidimo vožtuvas(*)	Odvzdušňovací ventil (*)	Odvzdušňovací ventil (*)	Izpušni ventil (*)	Ventil ispusta zraka (*)	Вантуз (*)	排气阀
13	Stators	Satorius	Stator	Stator	Stator	Stator	Статор	定子
14	Gumijas pārklājums/ Paplāksne	Guminis kaištis / Atraminė poveržlė	Gumový kryt/ Podložka	Gumený kryt/ podložka	Gumijast pokrov/ Podložka	Gumeni pokrov/ Podložni prsten	Резиновый чехол/ Опорная шайба	垫片
15	Gultnis	Guolis	Ložisko	Ložisko	Ležaj	Ležaj	Подшипник	轴承
16	Vārpsta ar rotoru	Velenas su rotoriumi	Hřídel rotoru	Hriadel s rotorom	Gred z rotorjem	Osovina sa rotorom	Вал с ротором	轴
17	Apakšējā gultņa balsts	Apatinio guolio laikiklis	Opora horního ložiska	Dolná podpera ložiska	Nosilec spodnjega ležaja	Donji nosač ležaja	Опора нижнего подшипника	下轴承支座
18	Mehāniskās noslēgjerīce	Mechaninis sandariklis	Mechanické těsnění	Mechanická upchávka	Mehansko tesnilo	Mehanička brtva	Механическое уплотнение	机械密封
19	Eļļas nodalījuma slēgšanas atloks	Alyva užpildytos kameros sandarinimo flanšas	Lem uzávěru olejové komory	Príruba na uzáver olejovej komory	Prirobica za zapiranje komore olja	Prirubnica za brtvu	Закрывающий фланец камеры с маслом	密封法兰
20	V-gredzens	V žiedas	V-Ring	V-krúžok	V-ring	V-ring	V-образное кольцо	V型圈
21	Darba rata iemava	Darbaračio įvorė	Svorka rotoru	Kryt obežného kolesa	Aksialni ležaj za rotor	Čahura radnog kola	Втулка крыльчатки	叶轮轴套
22	Darba rats	Darbaratis	Rotor	Obežné koleso	Propeler	Radno kolo	Крыльчатка	叶轮
23	Iesūkšanas atloks	Išvado flanšas	Sací obruba	Príruba nasávania	Prirobica sesalna	Usisna prirubnica	Всасывающий фланец	吸入法兰
24	Pamatne	Apatinė atrama	Základna	Základná doska	Podstavek	Podložne noge	Основание	底座
25	Sietiņš	Tinklelis	Mřížka	Zachytávač nečistôt	Rešetka	Usisno sito	Решетка	滤网
26	Blīve	Tarpiklis	Těsnění	Obloženie	Tesnilo	Brtva	Прокладка	垫片
27	Smalcināšanas plāksne	Smulkintuvo diskas	Drťicí talíř	Rezacia základňa	Plošča drobilca	Disk rezača	Измельчительный диск	切割刀盘
28	Smalcināšanas nazis	Smulkintuvo peilis	Drťicí nůž	Rezací nůž	Drobilni noži	Noževi rezača	Измельчительный нож	切割刀

LV (*) tikai PROFESIONĀLĀ LĪNIJA /Professional line/
(**) tikai vienfāzes modeļiem

LT (*) Tik PROFESSIONAL LINE gaminiuose
(**) Tik vienfaziuose modeliuose

CS (*) pouze PROFESIONÁLNÍ LINIE
(**) pouze jednofázové modely

SK (*) iba PROFESSIONAL LINE
(**) iba jednofázové modely

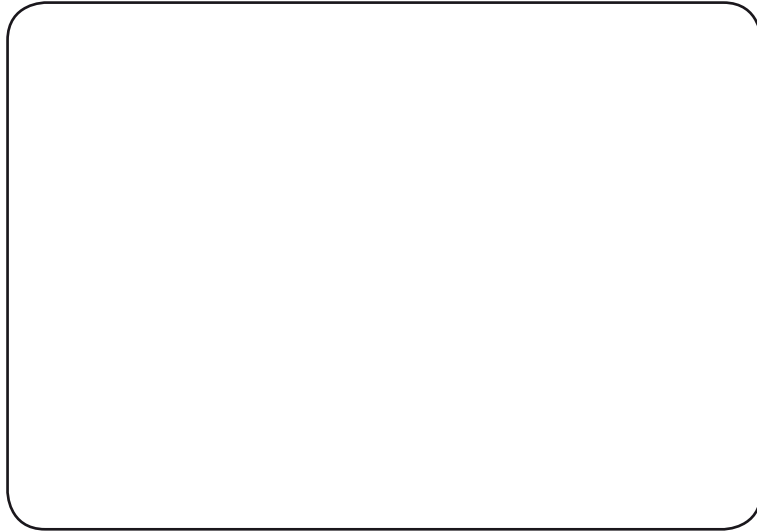
SL (*) samo za PROFESIONALNO LINIJO
(**)samo enofazni modeli

HR (*) samo PROFESSIONAL LINE
(**) samo jednofazni modeli

RU (*) только ПРОФЕС-СИОНАЛЬНАЯ ЛИНИЯ
(**) только однофазные модели

CN (*) 用于专业版
(**) 用于单相泵

IT	ETICHETTA DI IDENTIFICAZIONE	DA	IDENTIFIKATIONS MÆRKAT	LV	IDENTIFĪKĀCIJAS ETIĶETE
EN	DATA LABEL	FI	TYYPPIKILPI	LT	IDENTIFIKAVIMO ETIKETĖ
FR	ETIQUETTE D'IDENTIFICATION	SV	IDENTIFIERINGSETIKETT	CS	IDENTIFIKAČNÍ ŠTÍTEK
DE	MARKENETIKETT	BG	ОБОЗНАЧИТЕЛЕН ЕТИКЕТ	SK	IDENTIFIKAČNÝ ŠTÍTOK
NL	IDENTIFICATIESTICKER	HU	AZONOSÍTÓ TÁBLÁCSKA	SL	IDENTIFIKACIJSKA ETIKETA
ES	ETIQUETA DE IDENTIFICACIÓN	PL	ETYKIETA IDENTYFIKACYJNA	HR	IDENTIFIKACIJSKA NALJEPNICA
PT	ETIQUETA DE IDENTIFICAÇÃO	RO	ETICHETĂ DE IDENTIFICARE	RU	ЭТИКЕТКА С ПАСПОРТНЫМИ ДАННЫМИ
EL	ΕΤΙΚΕΤΑ ΠΡΟΣΔΙΟΡΙΣΜΟΥ	ET	TEHASE ANDMESILT	CN	标牌参数





water technology

www.zenit.com

Cod. 27270100513100000
Rev. 0 - 01/06/11